



DULEVO
FAYAT GROUP



D6
Street Sweeper

ENVIRONMENT

Reduced environmental impact

The high technology of the Dulevo D6 provides an environmentally friendly machine.



Reduced environmental impact



Low sound power

Less than 100 db thanks to Load Sensing.

Low fuel consumption

Electronic transmission and high sweeping speed.

Low fine dust emissions

Euro 6C engine. The engine complies with the most recent European emission regulations.

Low fine dust emissions

EN15429 certified filtration system. Possibility to mount Gore filters to increase performance.

Reduced water consumption

The mechanical suction system allows the machine to work, drastically reducing water consumption.





DULEVO

PRODUCTIVITY

Efficiency and cost reduction

It ensures the highest performance levels in every context, reducing consumption compared to the past.

Efficiency Everywhere



Savings in water consumption

Water is only used to cut down on dust on the external brushes.

No sweeping limit

Possibility of collecting light, heavy and even bulky material.

12 months of use

12 months of use Ability to sweep even without using water makes it possible to also work with low outdoor temperatures.

High filtering rate

Dust filter for constant and efficient filtering in all conditions.





DULEVO CONNECT

Easy and intuitive use

Less time needed to train the operator, possibility to customise the operating methods of the vehicle.

Smart Thinking



Touchscreen Panel

User friendly and Easy Start functions.

Dulevo Telematic (Tierra)

Possibility to remotely access the vehicle diagnostics and information.

Set-up for remote connectivity 4.0 Smart City

Two-way interface system.

On-board diagnostics

Possibility to directly access the function diagnostics and the motor status indications from the display.

Can Bus

In/Out communication system of the sweeping functions and motor on CAN-BUS protocol.



QUALITY OF LIFE ON BOARD

Designed for the operator's wellbeing

A comfortable and pleasant sweeper
to use even after many hours of
work.



QUALITY OF LIFE ON BOARD

Designed for People

Greater cabin space

Tunnel removal and the possibility of having up to 3 cabin seats.

Less noise in the cab

Less than 70 db thanks to the new soundproofing concept.

Filtering and pressurisation system

System designed to meet the high standards and regulations of the Agriculture sector.



Ergonomic cabin layout

- Layout of controls and display of ergonomic and adjustable functions according to the operator's needs.
- 10" Interactive display for sweeping function.
- 4.3" display for engine and road circulation functions.
- Armrest with multifunction Joystick.

Simplified daily maintenance

- Hydraulic opening of the Box Door.
- Conveyor washing with hydrant connection.
- Water system draining system.
- 50% faster central brush replacement system.

Cabin disinfection and sanitisation

The cab can also be sanitised through photocatalytic oxidation.



VERSATILITY

Adaptable to different sweeping needs

Different ways of using the sweeper based on the environments or type of materials to be collected.



A.S.T.

- Possibility of selecting different work programs: STD, ECO, Boost and Leaves.

- Possibility of storing customised work programs by operator, environment or work mode.

Adjustable Working Speed (A.W.S.)

Possibility of adjusting the maximum working speed.

Adaptive sweeping width

Ability of the side brushes to open and close according to the steering angle.

Memory

Possibility of putting the functions in Stand-by and resume work with the same configuration.

4 and 2 steering wheel system

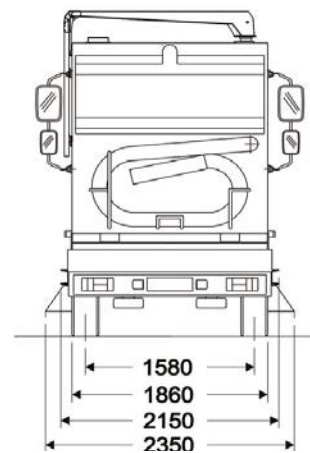
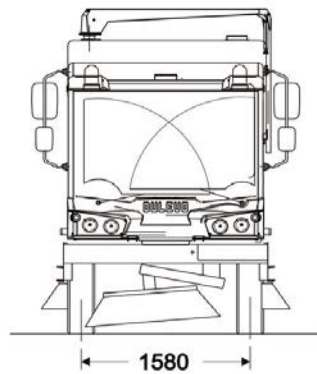
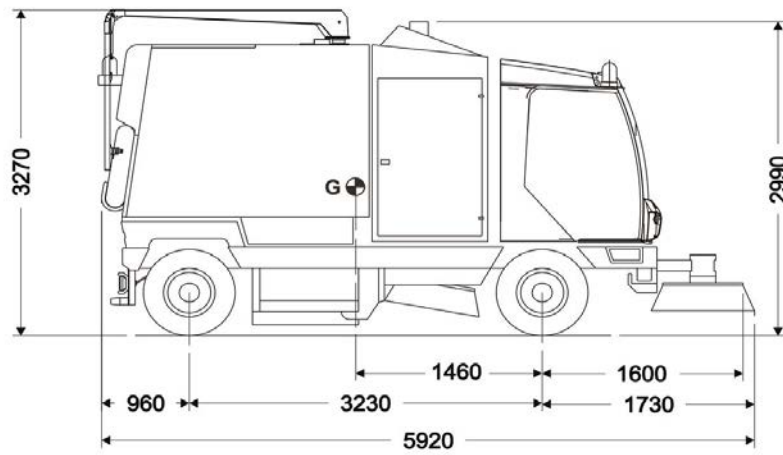
- Possibility of selecting the most comfortable transfer mode.

- 4 steering wheels for maximum manoeuvrability.

- 2 steering wheels for greater comfort and driving precision/ simplicity.

- Automatic alignment of the wheels.





Technical Data

		D6
Cleaning track:		
- With centre brush	mm	1300
- With centre brush and side brushes	mm	2800
- With centre brush, side brushes and third brush	mm	3600
Waste container volume	m ³	6,2
Height of container discharge (OPT.)	mm	1150 (2400)
Cabin seats (OPT.)	n°	2 (3)
Hourly output	m ² /h	108.000
Maximum speed	Km/h	25 - 40 - 50
Turning circle diameter	mm	9675
PM Certification		PM 2,5 / PM10****
Engine brand		FPT industrial (Iveco)
Engine emissions		EURO 6 C
Power supply		Diesel



Specifications are not binding for our company and subject to change at any time without notice



DULEVO

FAYAT GROUP



Dulevo International S.p.A.
Via Giovannino Guareschi, 1
43012 Fontanellato (PR) Italia
Tel: +39-0521-827711
Fax: +39-0521-827795
www.dulevo.com