



**DULEVO**  
FAYAT GROUP



**D6** BLUE  
Street Sweeper  
methane gas





ENVIRONMENT

# Reduced environmental impact

The high technology of the Dulevo D6 BLUE and the natural gas engine makes for an environmentally friendly machine.



# Reduced environmental impact

## Methane gas

Euro 6 STEP C engine. Natural gas drastically reduces the level of emissions.

## Low sound power

Less than 100 db thanks to Load Sensing.

## Low fuel consumption

Electronic transmission and high sweeping speed.



## Low fine dust emissions

EN15429 certified filtration system. Possibility to mount Gore filters to increase performance.

## Reduced water consumption

The mechanical suction system allows the machine to work, drastically reducing water consumption.







PRODUCTIVITY

# Efficiency and cost reduction

It ensures the highest performance levels in every context, reducing consumption compared to the past.



# Efficiency Everywhere



## Savings in water consumption

Water is only used to cut down on dust on the external brushes.

## No sweeping limit

Possibility of collecting light, heavy and even bulky material.

## 12 months of use

12 months of use Ability to sweep even without using water makes it possible to also work with low outdoor temperatures.

## High filtering rate

Dust filter for constant and efficient filtering in all conditions.





**DULEVO CONNECT**

# Smart Thinking

Less time needed to train the operator, possibility to customise the operating methods of the vehicle.



## Panel Touchscreen

User-friendly functionality and Easy Start.

## Dulevo Telematic (Tierra)

Ability to access diagnostics and information about the vehicle remotely.

## Predisposition Connectivity 4.0 for Smart City

Bi-directional interface system.

## Diagnostics on board

Possibility of direct access from the display to diagnostics on functionality and engine status indications.

## Can Bus

In/Out communication system of sweeping and motor functions on CAN-BUS protocol.





QUALITY OF LIFE ON BOARD

# Designed for the operator's wellbeing

A comfortable and pleasant sweeper to use  
even after many hours of work.





**QUALITY OF LIFE ON BOARD**

# Designed for People

## Greater cabin space

Tunnel removal and the possibility of having up to 3 cabin seats.

## Less noise in the cab

Less than 70 db thanks to the new soundproofing concept.

## Filtering and pressurisation system

System designed to meet the high standards and regulations of the Agriculture sector.



## Ergonomic cabin layout

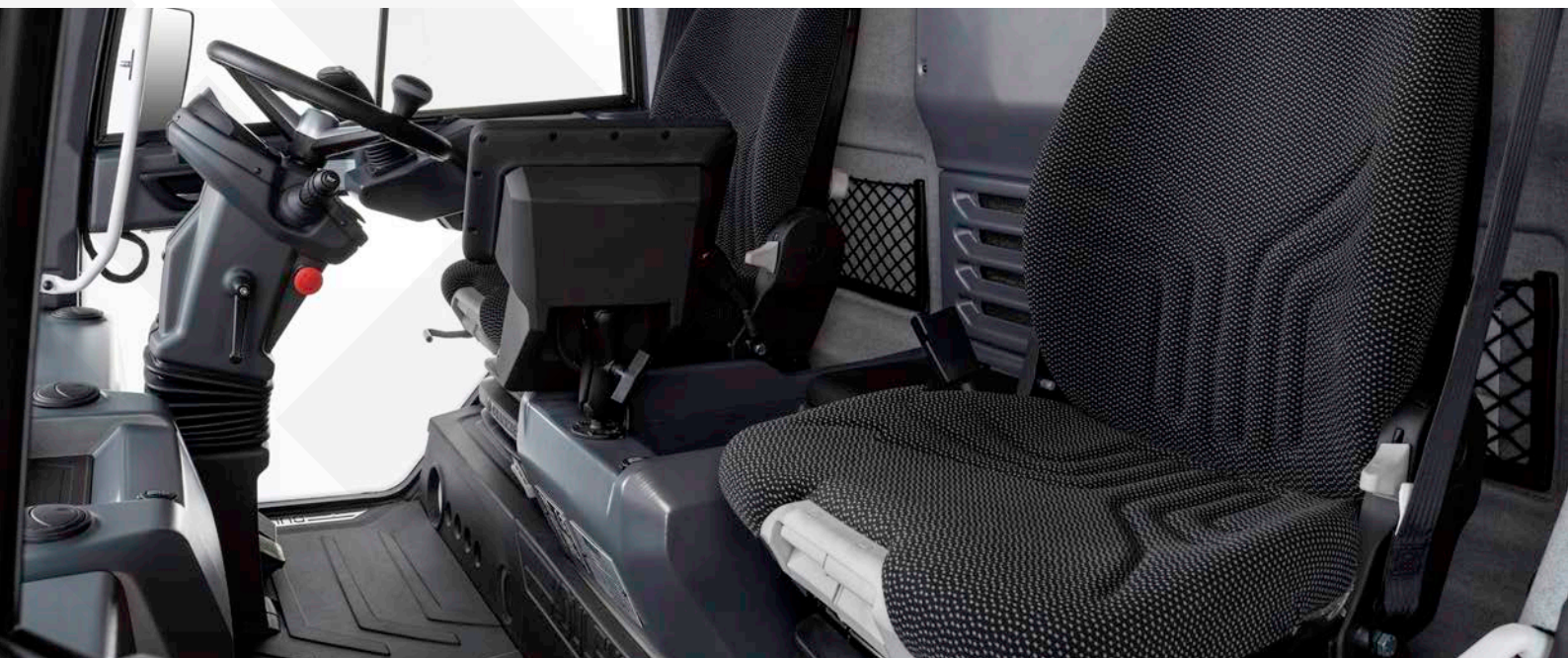
- Layout of controls and display of ergonomic and adjustable functions according to the operator's needs.
- 10" Interactive display for sweeping function.
- 4.3" display for engine and road circulation functions.
- Armrest with multifunction Joystick.

## Simplified daily maintenance

- Hydraulic opening of the Box Door.
- Conveyor washing with hydrant connection.
- Water system draining system.
- 50% faster central brush replacement system.

## Cabin disinfection and sanitisation

The cab can also be sanitised through photocatalytic oxidation.







VERSATILITY

# Adaptable to different sweeping needs

Different ways of using the sweeper based on the environments or type of materials to be collected.



## VERSATILITY

# Technology adaptive



## A.S.T.

- Possibility of selecting different work programs: STD, ECO, Boost and Leaves.
- Possibility of storing customised work programs by operator, environment or work mode.

## Adjustable Working Speed (A.W.S.)

Possibility of adjusting the maximum working speed.

## Adaptive sweeping width

Ability of the side brushes to open and close according to the steering angle.

## Memory

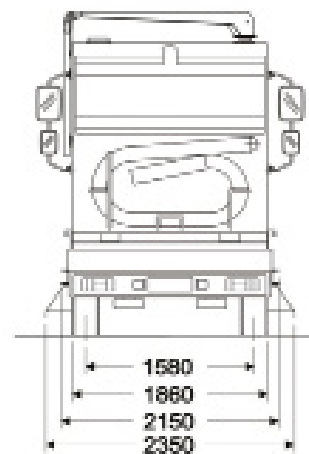
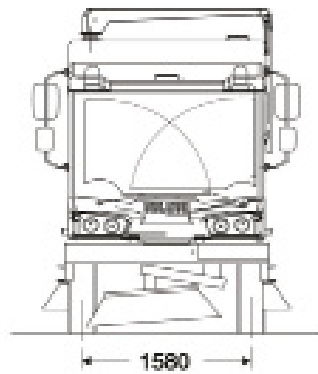
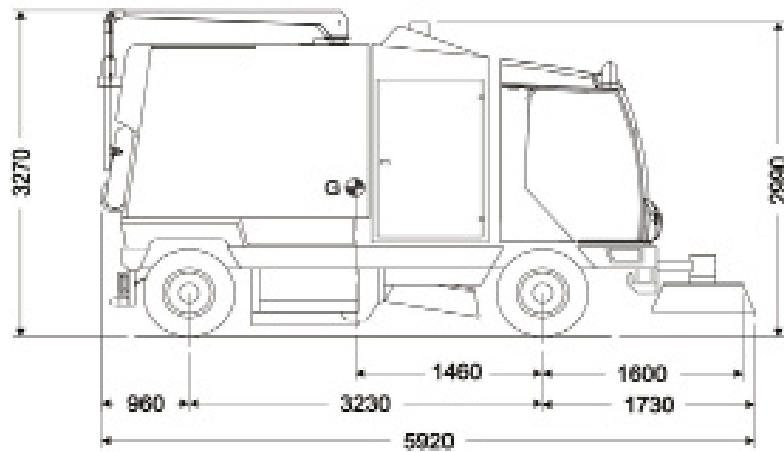
Possibility of putting the functions in Stand-by and resume work with the same configuration.

## 4 and 2 steering wheel system

- Possibility of selecting the most comfortable transfer mode.
- 4 steering wheels for maximum manoeuvrability.
- 2 steering wheels for greater comfort and driving precision/ simplicity.
- Automatic alignment of the wheels.







Technical Data		D6 Blue
Cleaning track:		
- With central brush	mm	1300
- With centre brush and side brushes	mm	2800
- With centre brush, side brushes and third brush	mm	3600
Waste container volume	m <sup>3</sup>	6,2
Height of container discharge (OPT.)	mm	1150 (2400)
Cabin seats (OPT.)	n°	2 (3)
Hourly output	m <sup>2</sup> /h	108.000
Maximum speed	Km/h	25 - 40 - 50
Turning circle diameter	mm	9675
PM certification		PM 2,5 / PM10 <sup>****</sup>
Engine brand		FPT industrial (Iveco)
Engine emissions		EURO 6 STEP C
Power supply		Methane Gas





Specifications are not binding for our company and subject to change at any time without notice



# **DULEVO**

**FAYAT GROUP**



Dulevo International S.p.A.  
Via Giovannino Guareschi, 1  
43012 Fontanellato (PR) Italia  
Tel: +39-0521-827711  
Fax: +39-0521-827795  
[www.dulevo.com](http://www.dulevo.com)